

Zones 1, 2, 21 and 22



atex@atexdelvalle.com | www.atexdelvalle.com

LUXOREX SERIES STANDS OUT FOR ITS ROBUSTNESS AND A VERY SPACIOUS INTERIOR

INCREASED SAFETY ENCLOSURE

LUXOREX SERIES IP66



· WE ARE ·
MANUFACTURERS
CERTIFIED

1.23

Delvalle, wide experience in manufacturing solutions for hazardous area



WE PUT AT YOUR DISPOSAL

We offer over **50 years** providing hazardous area **solutions** to demanding customers who require very specific characteristics and behaviour according to the sector and their needs.

WHEREVER YOU GO

We are committed to working closely with our customers, providing them with exceptional service and offering an advanced and **extensive range of hazardous area products** with very competitive prices.

CONSULTING & ENGINEERING

Atex Delvalle adapts to our clients' needs by offering hazardous-area systems. Atex-delvalle are the leading certified assembler of Ex junction boxes, our **customized services**, **experienced design** and drafting 3D support.

HIGH STANDARD OF QUALITY AND SERVICES

We only use materials provided by companies who offer the very highest quality, suitable and certified products. Our success is due to **top quality** assurance: ISO 9001, SGS, UL, TÜV, ISO 14000, Ohsas 1800, Atex, IECEx.



100%
Diseñado y fabricado
íntegramente en España
*Entirely designed and
manufactures in Spain*



CONTACT US

Confidentiality, reliability & quality

www.atexdelvalle.com
atex@atexdelvalle.com
+34 945 601 381

ALSO ONLINE



Please contact our technical sales department.

A team of professionals with high experience and ability to solve all your queries.



**Zones 1, 2, 21 and 22**

INCREASED SAFETY ENCLOSURE **LUXOREX SERIES** IP66

Ejemplos



Luxorex Series Stands out for its Robustness and a Very Spacious Interior

The increased-safety, IP66 stainless steel enclosure Luxorex Series stands out for its robustness and very spacious interior. Certified to be used for zones 1, 2, 21 and 22, it is greatly valued for its high security and resistance in even the harshest environments.

The main advantage of Delvalle in this product is its capacity for customized manufacturing to adapt to each client's facilities according to their demanding specifications. This allows them to offer tailor-made solutions, specifically designed to meet the individual needs of each client.

➔ **FOR MORE INFORMATION CLICK HERE**



APPLICATIONS

Specially designed for the following sectors where facilities require additional security and, in general, areas at risk of explosion and explosive atmospheres where Atex equipment is necessary.

- Oil and Gas
- Offshore and High Seas
- Industry and Automation
- Chemical and Refineries
- Pharmaceutical
- Maritime and Port
- Fieldstations:
- Food and Beverages
- Paper Industry
- Air Transportation
- Nuclear and Renewable

OPTIONS

- Manufactured in stainless steel AISI 304L or AISI 316L.
- Option of cable gland plate.
- Available with double access (both front and rear doors).
- Possibility of manufacturing in galvanized steel.
- Multiple options of roof for the single-door model:
 - Sloped roof (forward slope). The slope of its roof cover prevents the placement of objects on its surface, achieving the non-proliferation of bacteria and viruses on the cabinet surface.
 - Pneumatic or instrumentation roof. It features an upper section for housing pressure gauges, flow meters, or other controls necessary for comfortable, quick, and secure readings.



FEATURES

- For use it in zones 1, 2, 21 and 22 and to place Ex components terminals.
- Made of stainless steel AISI 304L or AISI 316L and with a polished glossy surface finish.
- Possibility of implementation in one or two doors.
- Spacious interior that simplifies connection operations.
- Guaranteed anticorrosion protection.
- Safe and resistant in hard and aggressive environments.
- Monobloc shape giving perfect sealing and impact resistance.
- Pre-assembled body and door.
- Mass inserted allowing with external connection.
- Quarter-turn double-bit locks and stainless steel hinges.
- Option: double access (both front and rear doors).
- Possible accessories: eyebolts, baseboards, perforated plates, cable gland caps, DIN rails...
- Polyurethane seal on the door -25° to ≤60°C.

TURNKEY PROJECTS

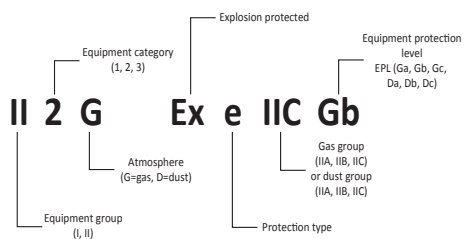
Options available include sizes, colours, types of connection among others. As we have a close relationship with the main **Atex & IECEx certified** companies in our field, we achieve total adaptability and flexibility being **manufacturers**






NORMS AND CERTIFICATES

- II2G Ex e IIC Gb and II2D Ex tb IIIC Db IP66 according to directive 94/9/CE and standard EN IEC 60079-0, EN 60079-7, EN 60079-31 and EN 61241-1.
- IP66 protection according to EN 60529.
- Maximum IK10 resistance, Norm IEC 62262.
- Certificate LOM 14ATEX3026U.
- Certificate UL Nema 4x, 12, 3r and I (on request). N°File E342220.
- Polyurethane gasket: $-25^{\circ}\text{C} < \text{Ta} < 80^{\circ}\text{C}$.
- Silicone sponge gasket: $-45^{\circ}\text{C} < \text{Ta} < 135^{\circ}\text{C}$.
- Silicone foam gasket: $-45^{\circ}\text{C} < \text{Ta} < 155^{\circ}\text{C}$.

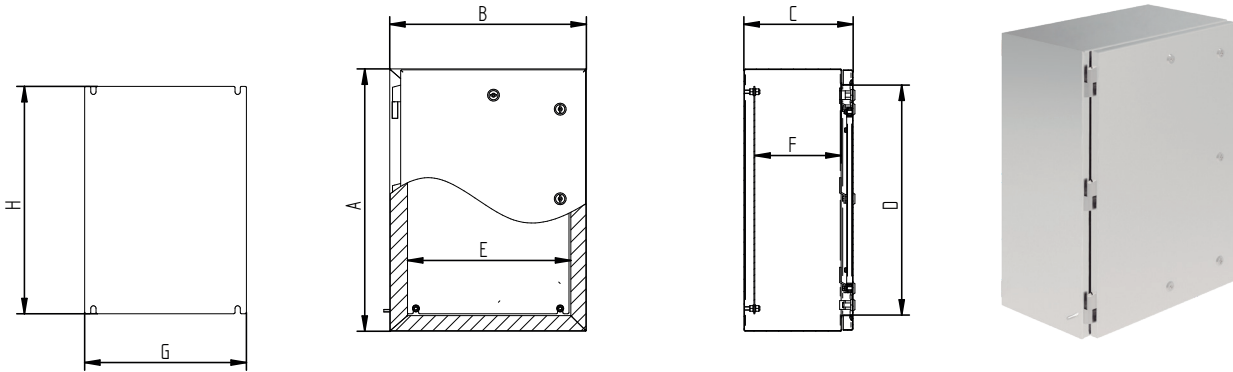
CE CERTIFICATE



 HAZARDOUS AREA SOLUTIONS		+34 945 601 381 Paso el Prao 6 Oyón, 01320 (Spain) atex@atexdelvalle.com www.atexdelvalle.com	
LOM 14 ATEX 3026U		Type: LX404025EX	
 0163		 II 2G Ex e IIC Gb II 2D Ex tb IIIC Db IP66	
IECEx LOM 16.0002U		Serial nº: PV1516-01215-1A	
Year: 2016		Ex e IIC Gb Ex tb IIIC Db IP66	



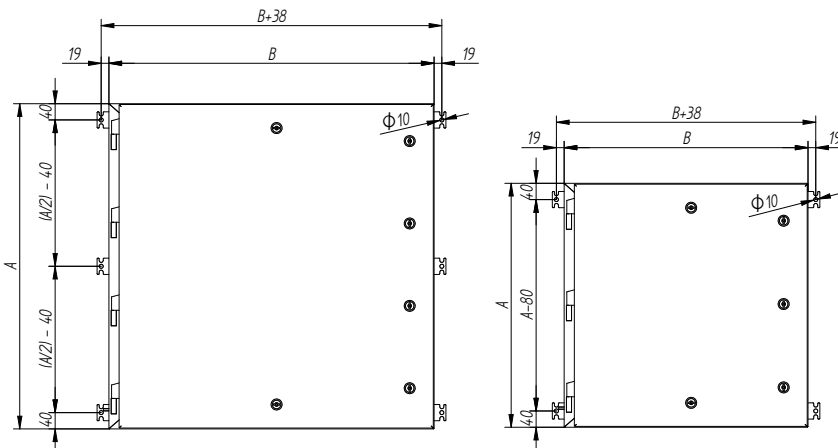
PLANS AND REFERENCES ONE DOOR



INCREASED SAFETY ENCLOSURE LUXOREX -ONE DOOR (mm)											
REFERENCES	HEIGHT (A)	WIDTH (B)	DEPTH (C)	HIGH INTERIOR USEFUL (D)	INTERNAL WIDTH USEFUL (E)	INTERNAL FUND USEFUL (F)	LATERAL AREA MACHINABILITY		PANEL MEASURES (GXH)	WEIGHT (Kg)	VOLUME (m ³)
							DOOR	SIDE			
LX302015EX	300	200	150	226	121	97.5	143x74.3	270x94	120x220	9	0.01
LX403020EX	400	300	200	326	221	147.5	243x174.3	370x144	320x220	34.5	0.024
LX504020EX	500	400	200	426	321	147.5	343x274.3	470x144	420x320	12.05	0.04
LX605025EX	600	500	250	526	421	197.5	443x374.5	570x194	520x420	18.1	0.075
LX606030EX	600	600	300	526	521	247.5	443x474.3	570x244	520x520	22.3	0.1
LX705030EX	700	500	300	626	421	247.5	543x374.3	670x244	620x420	21.64	0.1
LX8040(x)EX	800	400	300 to 800	726	321	247.5 to 747.5	643x274.3	770x244 to 744	720x320	20.05 to 29.7	0.1 to 0.26
LX8060(x)EX	800	600	300 to 800	726	521	247.5 to 747.5	643x474.3	770x244 to 744	720x520	29.9 to 40.5	0.1 to 0.38
LX8080(x)EX	800	800	300 to 1000	726	721	247.5 to 947.5	643x674.3	770x244 to 944	720x720	38.55 to 58.69	0.2 to 0.64
LX8010(x)EX	800	1000	300 to 1000	726	921	247.5 to 947.5	643x874.3	770x244 to 944	720x920	47.17 to 70.68	0.24 to 0.8
LX1040(x)EX	1000	400	300 to 1000	926	321	247.5 to 947.5	843x274.3	870x244 to 944	920x320	24.66 to 39.79	0.1 to 0.4
LX1060(x)EX	1000	600	300 to 1000	926	521	247.5 to 947.5	843x474.3	870x244 to 944	920x520	34.79 to 53.28	0.18 to 0.6
LX1080(x)EX	1000	800	300 to 1000	926	721	247.5 to 947.5	843x674.3	870x244 to 944	920x720	46.84 to 68.70	0.24 to 0.8
LX1010(x)EX	1000	1000	300 to 1000	926	921	247.5 to 947.5	843x874.3	870x244 to 944	920x920	57.2 to 82.44	0.3 to 1

Versión: Normativa UL. Añadir "UL" a la referencia. Ej. "LX302015EXUL" (solo disponible para el modelo sin tejadillo)

WALL MOUNTING BRACKETS



BRACKETS IN LUXOREX		
A	4 BRACKETS	6 BRACKETS
<800	x	
=800		x
>800		x

(x) = 30, 40-50-60-70-80-90-10 for a depth 300, 400, 500, 600, 700, 800, 900 or 1000mm. We can manufacture till 4mm thickness. Separation depth plate 20mm.

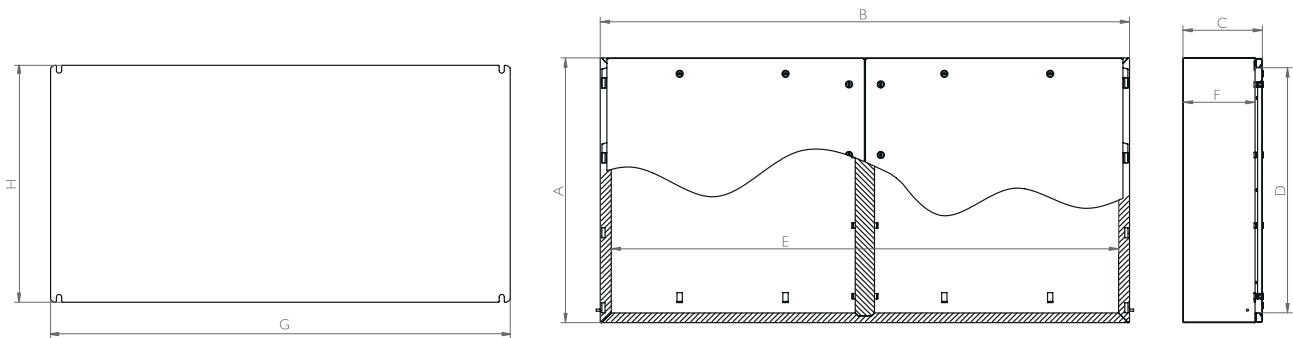
PLAN AND REFERENCES TWO DOORS



10 YEARS
STAINLESS
ANTICORROSIVE
GUARANTEE

MADE
TO MEASURE

5 YEARS
MECHANICAL PARTS
GUARANTEE



INCREASED SAFETY ENCLOSURE LUXOREX - TWO DOORS (mm)

REFERENCES	HEIGHT (A)	WIDTH (B)	DEPTH (C)	HIGH INTERIOR USEFUL (D)	INTERNAL WIDTH USEFUL (E)	INTERNAL FUND USEFUL (F)	LATERAL AREA MACHINABILITY		PANEL MEASURES (GxH)	WEIGHT (Kg)	VOLUME (m³)
							DOOR	SIDE			
LX508020DEX	500	800	200	426	721	171	343x274,3	470x144	420x360	24,1	0,10
LX601025DEX	600	1000	250	526	921	221	443x374,3	570x194	520x460	36,21	0,18
LX601230DEX	600	1200	300	526	1121	271	443x474,3	570x244	520x560	44,75	0,25
LX701230DEX	700	1000	300	626	921	271	543x374,3	670x244	620x460	43,28	0,25
LX8080(x)DEX	800	800	300 to 800	726	721	271 to 771	643x274,3	770x244 to 944	720x360	40,15 to 59,43	0,23 to 0,57
LX8012(x)DEX	800	1200	300 to 800	726	1121	271 to 771	643x474,3	770x244 to 944	720x560	56,9 to 81	0,34 to 0,85
LX8016(x)DEX	800	1600	300 to 1000	726	1521	271 to 971	573x593	770x244 to 944	720x760	77,11 to 117,39	0,45 to 1,39
LX8020(x)DEX	800	2000	300 to 1000	726	1921	271 to 971	573x793	770x244 to 944	720x960	94,35 to 141,36	0,56 to 1,73
LX1080(x)DEX	1000	800	300 to 1000	926	721	271 to 971	843x274,3	970x244 to 944	920x360	49,33 to 79,58	0,28 to 0,88
LX1012(x)DEX	1000	1200	300 to 1000	926	1121	271 to 971	843x474,3	970x244 to 944	920x560	69,58 to 106,56	0,42 to 1,30
LX1016(x)DEX	1000	1600	300 to 1000	926	1521	271 to 971	773x593	970x244 to 944	920x760	93,68 to 137,41	0,55 to 1,73
LX1.23(x)DEX	1000	2000	300 to 1000	926	1921	271 to 971	773x793	970x244 to 944	920x960	114,41 to 164,88	0,69 to 2,15

Version: Norm UL

Add "UL" to reference. Ex: "LX508020DEXUL"

(x) = 30, 40-50-60-70-80-90-10 for a depth 300, 400, 500, 600, 700, 800, 900 or 1000mm.
This enclosure includes two mounting plates. We can manufacture till 4mm thickness. Separation depth plate 20mm



CABLE ENTRY COVER **ATEX** IP65

Our ATEX cable trays keep IP65 protection (minimum).

An ideal complement when we do not know in advance the number of holes or glands to be fixed on the cabinet.

CUSTOM
MANUFACTURE

(Drilling holes for the placement of cable glands, plugs...)



Cable entry cover: Luxorex, Tribex and Geox models.



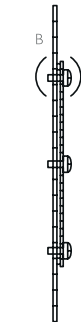
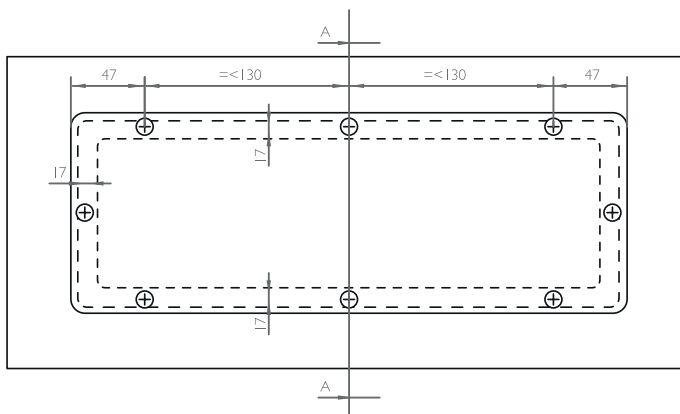
CABLE ENTRY COVER **ATEX**

IP65

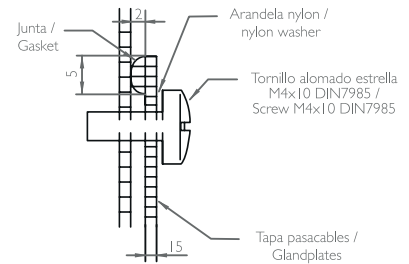
CHARACTERISTICS

- Made in stainless steel.
- Custom-made: minimum size of 90mmx90mm and maximum size of 600mmx600mm (the widest range now available on the market).
- Thickness
- Two options: 1.5 mm and 3 mm.
- Certified Atex, Ex.
- Easy mounting with screws for easy drilling, keeping protection and Atex safety.

BLUEPRINT AND DIMENSIONS



CORTE A-A /
COURT A-A



DETALLE B /
DETAIL B

REFERENCES

REFERENCES	DIMENSIONS (mm)			MACHINING
REFERENCES	HEIGHT -A-	WIDTH -B-	DEPTH -C-	MACHINABLE AREA (DxF)
TP909015EX	90	90	1,5	56x56
TP909030EX	90	90	3	56x56
TP149015EX	140	90	1,5	106x56
TP149030EX	140	90	3	106x56
TP259015EX	250	90	1,5	216x56
TP259030EX	250	90	3	216x56
TP351315EX	350	130	1,5	316x56
TP351330EX	350	130	3	316x56
TP503030EX	500	300	3	466x266
TP504030EX	500	400	3	466x366
TP606030EX	600	600	3	566x566



SOLUTIONS FOR HAZARDOUS AREA

With over 50 years of experience in design, manufacture and supply of electrical high quality Atex & IECEX solutions.

Atex Delvalle adapts to our clients' needs by offering Hazardous Area enclosures and boxes on demand. They are adapted to your specific requirements of installation and assembly, up to the last detail.

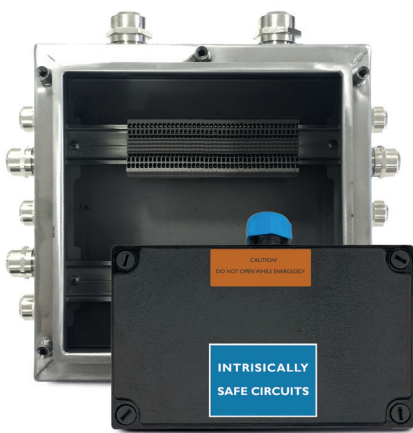
Atex Delvalle designs and manufactures a range of Hazardous Area enclosures; junction and terminal boxes, pressurized, flameproof Ex d and increased Safety Ex e Atex & IECEX compliant enclosures.



ATEX CABLE GLANDS



MOTOR STARTER & LOAD DISCONNECT SWITCHES



ATEX TERMINAL & JUNCTION BOXES



ATEX LIGHTING FIXTURE

HMI INDUSTRIAL PANELS WORKSTATIONS



FLAMEPROOF ENCLOSURES
& PULLING BOXES



CONTROL STATIONS & DISTRIBUTION BOXES

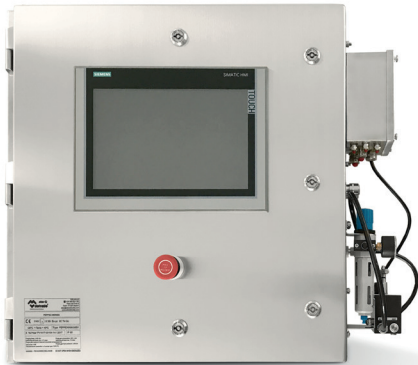
Atex control boxes (Contrex Series), they are specially designed to perform checks, maneuvers and as actuators in explosive atmospheres. They have a rugged, corrosion system and finished in stainless steel or GRP polyester. It allows you to perform maneuvers and controls at the machine in hazardous areas and take programming and automation in a safe area. Offering customers a great combination of possibilities and flexibility. Select the component that best suits your operator panels, keypads, mushrooms, switches, ammeters... and you assemble all with Atex certified, Ex & IECEx and UL.



PRESSURIZED PANELS & ATEX PURGE

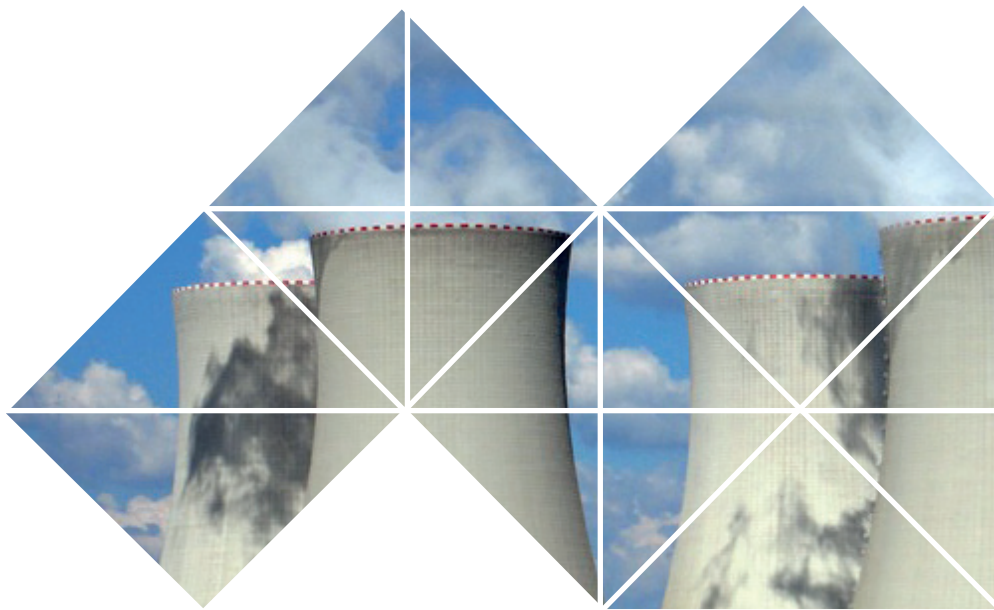


ENCLOSURES FOR
CORROSION ENVIRONMENTS





HAZARDOUS AREA SOLUTIONS ATEX E IECEx



Paso del Prao, 6. 01.23 Oyón (Álava). Spain
Telf. +34 945 601 381
atex@atexdelvalle.com | www.atexdelvalle.com

Contact us, we will be available at any time